

ANOUR

G MODEL CORDLESS

Installation manual: Drop ceiling option

Please, read our instructions before installing and using the product.

If you have any problems with the electrical installation, contact an electrician. Be sure to turn off the power before you start the installation. In some countries, all electrical installation must be carried out by professional electricians only. For further information, contact the relevant authorities.

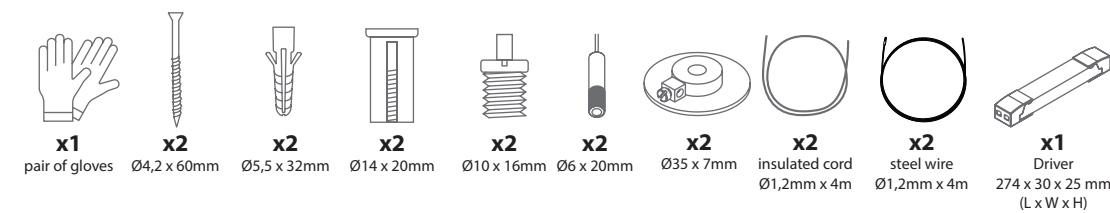
Our products are for indoor use only. Check on a regular basis that the cord and other parts are not damaged. In this case, the product must not be used. Save these instructions for future use.

We use LED as a light source for our products. For replacement of LED contact Anour. The product should not be dismantled as it may get damaged. The product should not come into direct contact with water.

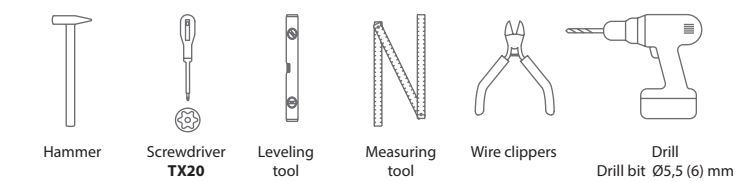
Our products are marked with the symbol of the crossed out wheelee bin. That means that the product should not be disposed of with other household waste. Our products must be recycled in accordance with local environmental regulations for the disposal of waste. In complying with this you will help to minimize any adverse effect on human and environmental health. If you have any questions please contact Anour. contact@anour.dk (June 2019)



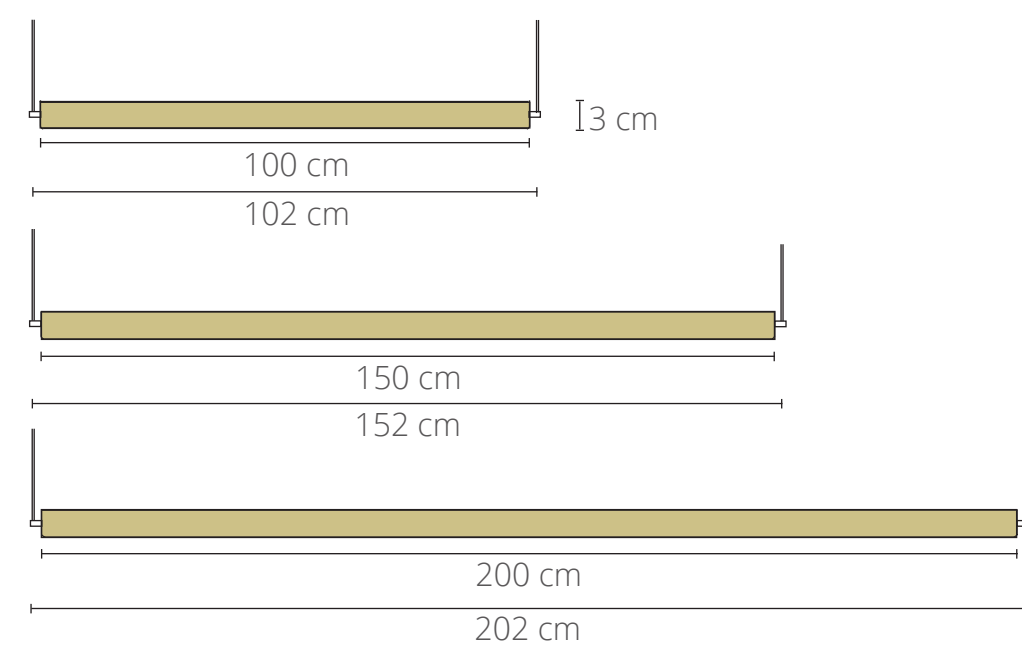
PARTS: (INCLUDED IN THE PACKAGE)



REQUIRED TOOLS: (NOT INCLUDED)



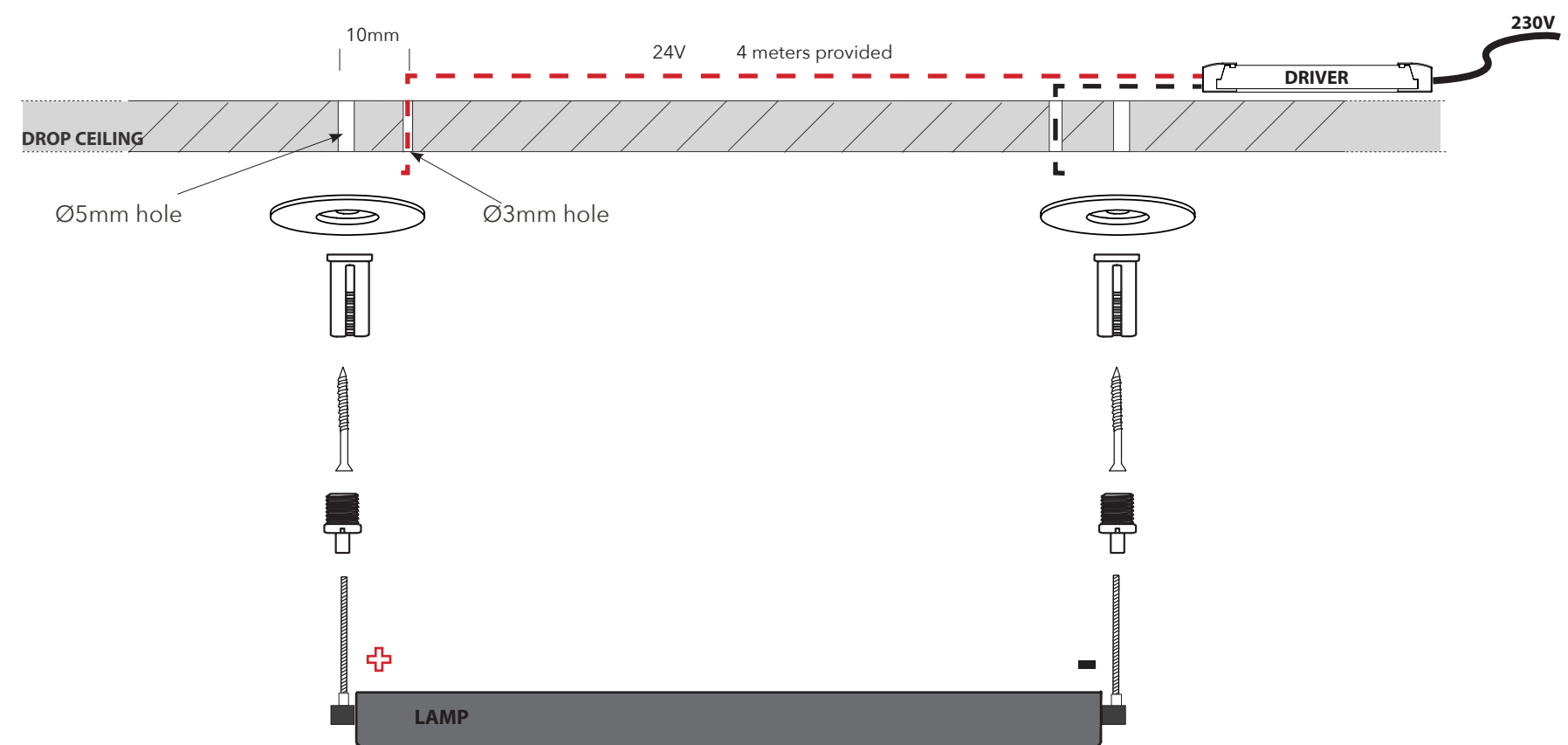
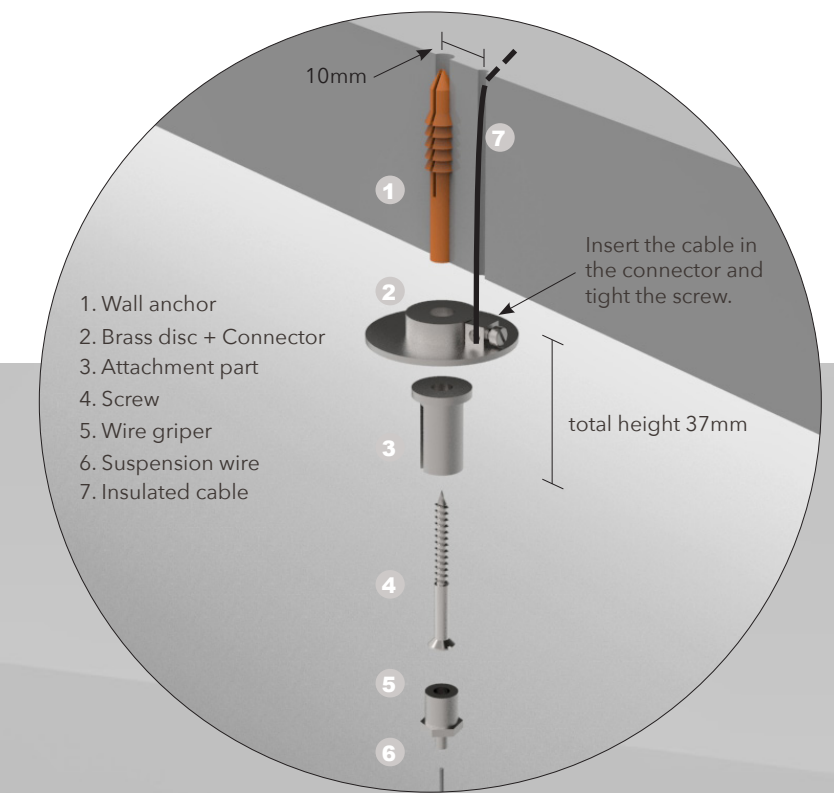
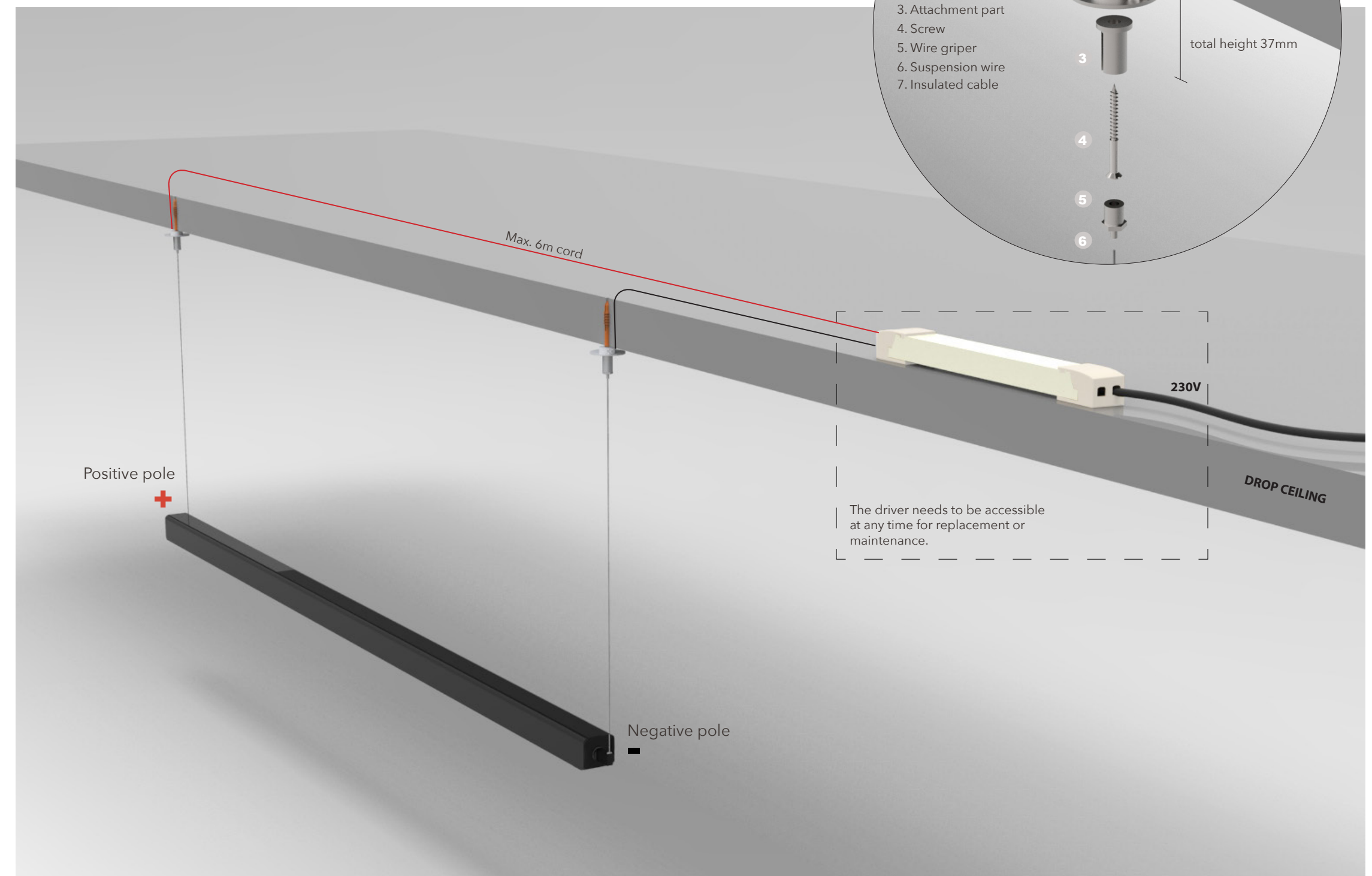
DIMENSIONS:



OPTION: DROP CEILING INSTALLATION

If you wish to receive this installation kit, please mention it when ordering. This is **not** supplied as standard

Please note that this schema won't fit to every type of ceiling installation. Consult an electrician beforehand.



WIRING INSTALATION MANUAL

Check your order first, as you cannot combine multiple solutions.

If you have any problems with the electrical installation, contact an electrician. Be sure to turn off the power before you start the installation. In some countries, all electrical installation must be carried out by professional electricians only. For further information, contact the relevant authorities.

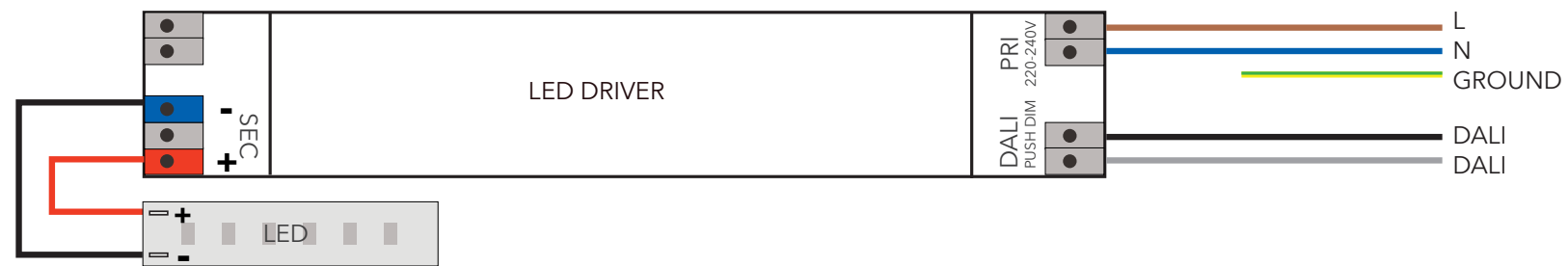
Trailing edge dimming is not available.

We do not supply power cable from outlet to power supply.

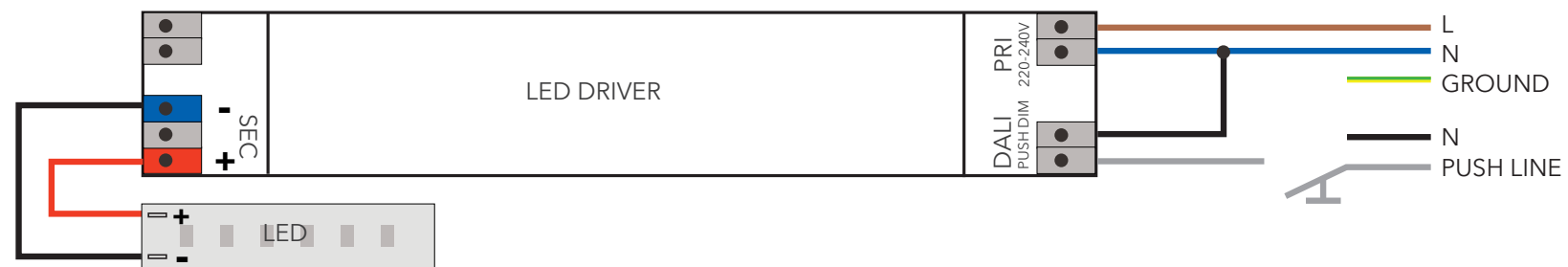
1. DIAGRAM STANDARD WITH TOUCH DIMMER BUTTON ON THE LAMP



2. DIAGRAM DALI



3. DIAGRAM PUSH DIM



4. DIAGRAM 1-10V

